

MEDENUS

Gas Pressure Regulation



Safety Relief Valve SL 5

Product information



EN

Table of contents

Application, characteristics, technical data	4
Application	4
Characteristics	4
Type of model / Options	4
Technical data	5
Structure and function	6
Installation example	6
Sectional view	6
Measuring unit diameter	7
Setpoint spring table	7
Flow rate capacity	7
Dimensions, connection, and weight	8
Dimensions and weight	8
Dimensional drawings	8
Order data	9
Contact	11
Notes	13



ATTENTION

Observe the following publications in relation to installation, start-up and maintenance:
 DVGW - work sheets G 491 and G 600
 Operating and Maintenance Instructions SL 5

List of abbreviations and formula symbols

AC	Accuracy class	$p_{ds\ o}$	Upper SSV response pressure	$W_{ds\ o}$	Upper spring adjustment range (SSV)
AG _o	Upper response pressure group	$p_{ds\ u}$	Lower SSV response pressure	$W_{ds\ u}$	Lower spring adjustment range (SSV)
AG _u	Lower response pressure group	$p_{f,max}$	Maximum closing pressure	Δp	Pressure difference from inlet pressure to outlet pressure
BV	Breather valve	PS	Maximum allowable pressure	Δp_{wo}	Min. re-engagement difference between upper response pressure and normal operating pressure
GPR	Gas pressure regulator	p_u	Inlet pressure	Δp_{wu}	Min. re-engagement difference between lower response pressure and normal operating pressure
HDS	High-pressure spindle	Q_n	Standard volumetric flow rate	ρ_n	Gas density
K _G	Valve flow rate coefficient	RE	Diaphragm assembly		
p	Pressure	RSD2	Throttle valve		
p _d	Outlet pressure	SSV	Safety shut-off valve		
p _{df}	SRV closing pressure	SRV	Safety relief valve		
p _{do}	SRV opening pressure	SG	Closing pressure group		
p _{ds}	Setpoint of the response pressure	t_{Gas}	Gas inlet temperature		
		VS	Valve seat		
		w_d	Outlet gas velocity		
		w_u	Inlet gas velocity		

Application, characteristics, technical data

Application

Safety relief valve (SRV), direct-acting (operating without auxiliary power), for systems acc. to DVGW Code of Practice G 491 (A) and G 600 (A) (TRGI)

Can be used for the gases defined in DVGW Code of Practice G 260 / G 262 and neutral non-aggressive gases. (other gases on request)

Characteristics

- Horizontal or vertical installation

Type of model / Options (see page 9)

- Black epoxy resin coating
- NPT connection thread
- Biogas & coke oven gas version (max. 0.1% H₂S)

Technical data

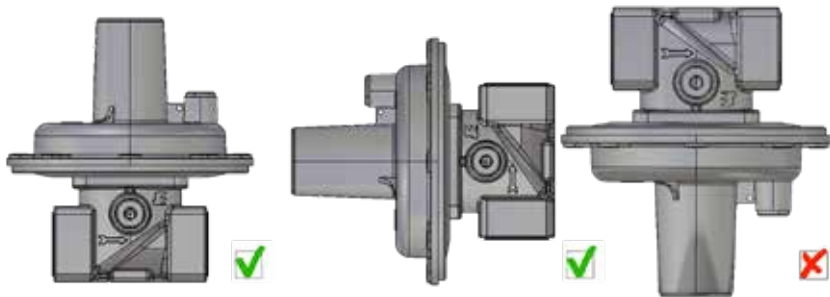
Type	SL 5
Max. allowable pressure PS	3 bar
Nominal width	Rp ¾", Rp 1"
Type of connection	Internal thread acc. to EN 10226-1 (NPT thread optional)
Material	Die-cast aluminum
Temperature range, Class 2 (operating/ambient temperature)	-15°C to +60°C

Ex protection

The mechanical parts of the device do not have any potential ignition sources of their own and therefore do not fall within the scope of ATEX 95 (94/9/EC). Electrical components fitted to the device comply with the ATEX requirements.

Preferred installation position

For all nominal widths, the direction of flow is indicated by an arrow on the housing.



Overhead installation position
only after consultation
with Medenus GmbH

Note: Observe the following documents in relation to installation, start-up, and maintenance:

- DVGW - work sheets G 491 and G 600
- Operating and Maintenance Instructions SL 5

Application, characteristics, technical data

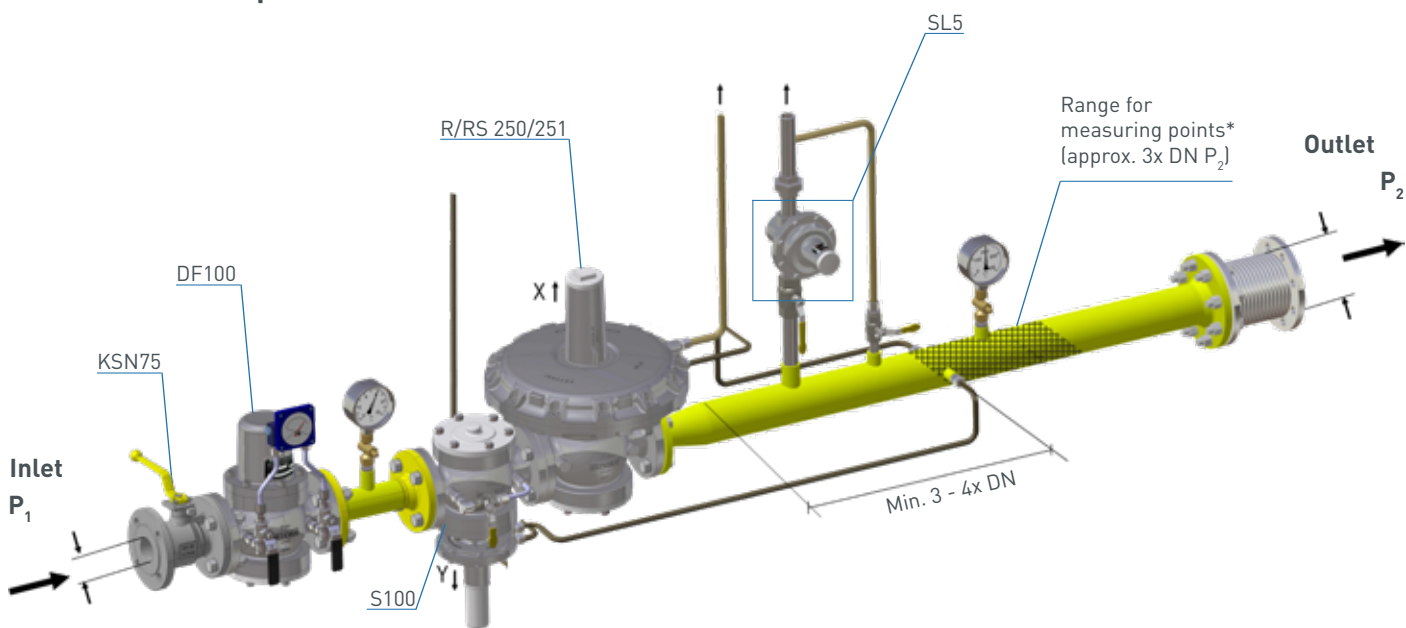
Structure and function

The spring-loaded safety relief valve SL 5 is used for reducing short-term pressure surges upstream of gas consumption systems or preventing an inadmissibly high pressure increase due to escaping gas, and is intended to protect downstream system components from excessive pressure levels.

The safety relief valve is composed of the actuator housing and the "control device" functional unit. In the closed position, the gas flows into the actuator housing in the direction of the arrow.

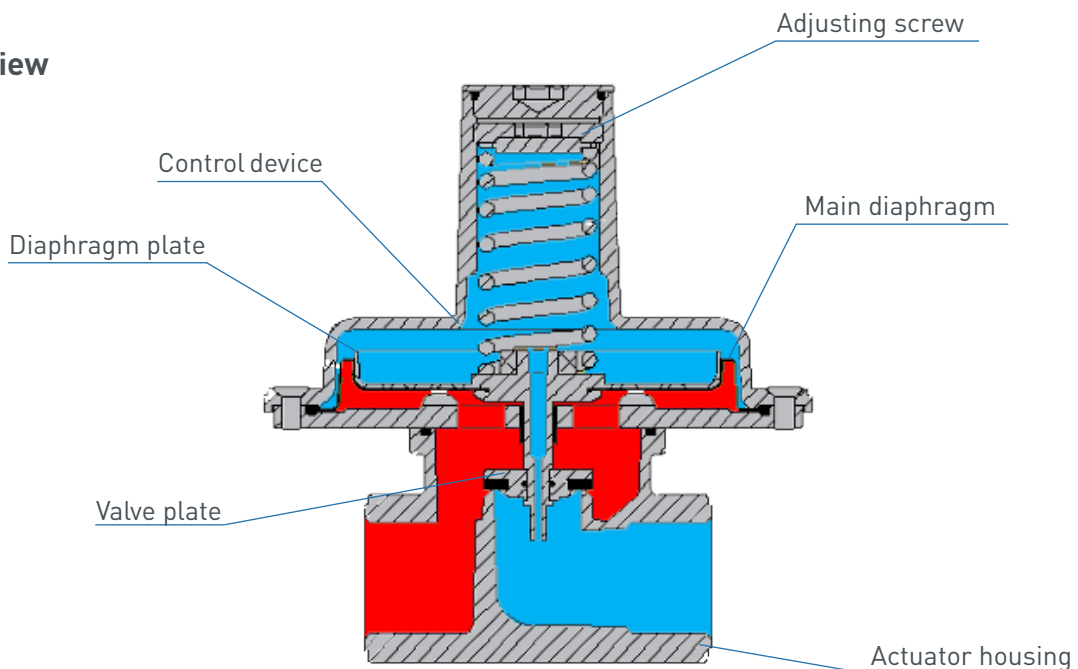
There the inlet pressure acts on the underside of the diaphragm, while the spring set with the adjusting screw acts against it. If the inlet pressure force is higher than the spring force, the diaphragm lifts, the valve opens releasing gas into the discharge line. After releasing the pressure surge, the inlet pressure drops and the valve closes again.

Installation example



*) Recommended max. velocity at the measurement line port 25 m/s

Sectional view



Application, characteristics, technical data

Measuring unit diameter

Nominal width	Connection	Measuring movement \emptyset (mm)
DN 20	Rp 3/4"	150
DN 25	Rp 1"	150
DN 20	NPT 3/4"	150
DN 25	NPT 1"	150

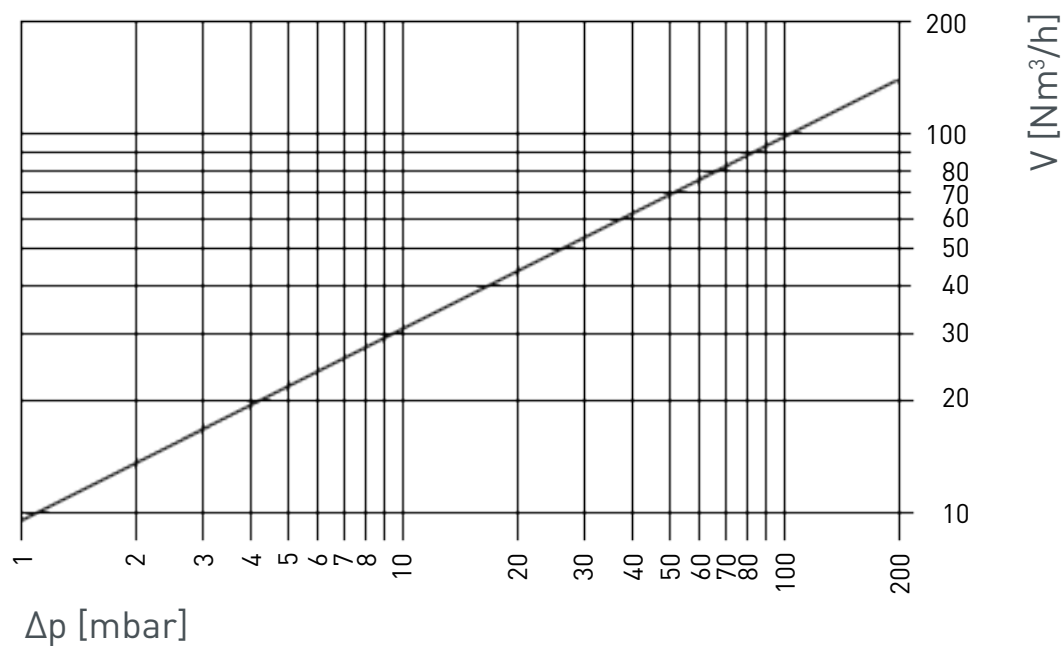
Setpoint spring table

Pressure range (mbar)	Spring data	
	Spring no.	Color [RAL]
45 - 150	A1	9005
85 - 190	A2	5015
150 - 450	B	6018
400 - 1000	C*	3020

*) Not for biogas version

Flow rate capacity

(with an inlet pressure of 115% of the set pressure)

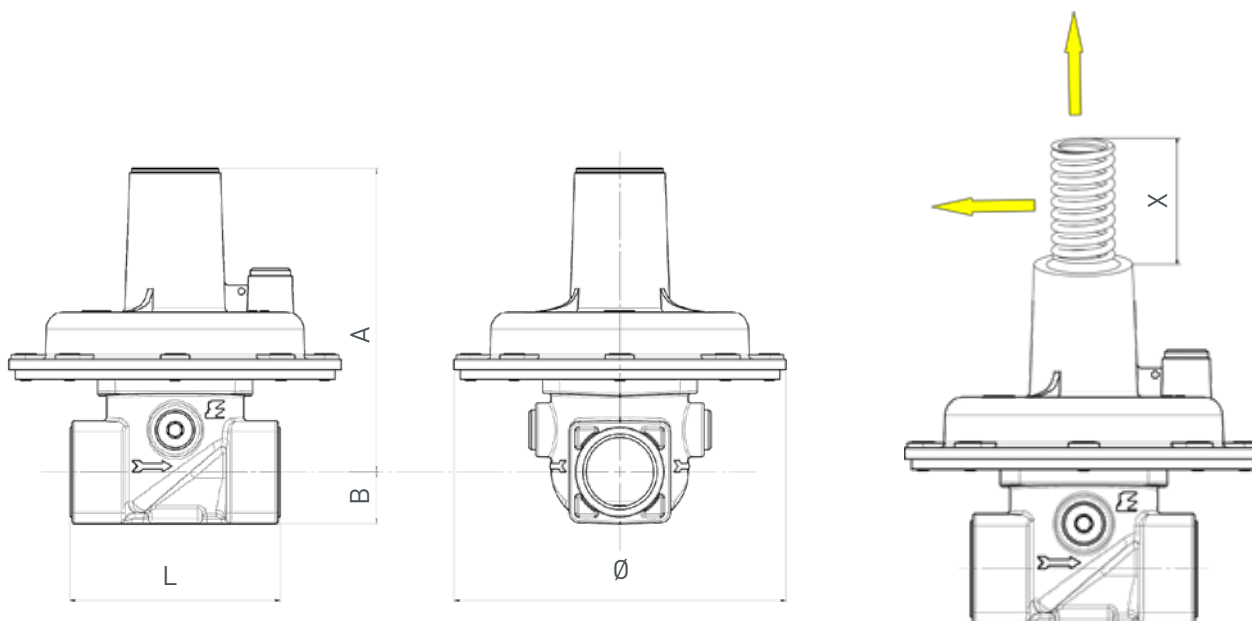


Dimensions, connection, and weight

Dimensions and weight

Nominal width DN	Connection	Measuring movement \emptyset (mm)	A (mm)	B (mm)	L (mm)	X (mm)	Weight (kg)
DN 20	Rp 3/4	150	138	23	95	85	1.3
DN 25	Rp 1	150	138	23	95	85	1.3

Dimensional drawing



Note

Observe the following publications in relation to installation, start-up, and maintenance:

DVGW - work sheets G 491 and G 600

Operating and Maintenance Instructions SL 5

For all nominal widths, the direction of flow is indicated by an arrow on the housing.

Types of models / Options

Black epoxy resin coating

To protect the safety relief valves from influences in aggressive atmospheres.



Types of models

- Version for biogas & coke oven gas
- NPT connection thread



Order data

Example:

Order selection	Designation	Safety relief valve: Order code:			
		SL5	Rp1"	WAZ	So
Type		SL5/Rp1"/WAZ/So			
SL5	SL5	SL5			
DN - Nominal width	Table p. 8		Rp1"		
Acceptance test certificate to EN 10204/3.1					
without acceptance test certificate	-			-	
with acceptance test certificate	WAZ			WAZ	
Special model	So				So
- Black epoxy resin coating					
- Version for biogas & coke oven gas					

In every selection group, only one option can be selected in each case.



THE MEDENUS PLUS

10 reasons for good business relations

1. Consultancy expertise and quality standards developed over decades
 2. Broad and proven standard range of feedback controllers
 3. Modern, fast and efficient production for series products and for individual orders
 4. Customer-specific design of pressure regulators and vacuum regulators and special designs
 5. Guaranteed deadline compliance with a delivery deadline guarantee
 6. Fast response time in all matters
 7. Sufficiently large parts storage for production and spare parts
 8. Customer-specific theory & practice training courses
 9. Modular design right across the entire product range to facilitate optimized handling of spare parts
 10. 100% Made in Germany
-

Contact



Management
ALEXANDER CHRISTIANI

Phone: +49 (0) 2761 / 82788-18
Mail: a.christiani@medenus.de



Technical Inside Sales Department
MINDAUGAS PECKAITIS

Phone: +49 (0) 2761 / 82788-23
Mail: m.peckaitis@medenus.de



Head of Inside Sales Department
MANUEL SCHEPP

Phone: +49 (0) 2761 / 82788-20
Mobile phone: +49 (0) 170 / 6355309
Mail: m.schepp@medenus.de



Inside Sales Department
SEBASTIAN HUCKESTEIN

Phone: +49 (0) 2761 / 82788-11
Mail: s.huckestein@medenus.de



Inside Sales Department
STEFANIE MÜLLER

Phone: +49 (0) 2761 / 82788-13
Mail: s.mueller@medenus.de



If you want to know more about solutions from MEDENUS for the gas industry, please contact your local contact person or go to our internet site at www.medenus.de

Trade representation worldwide
medenus.de/de/kontakt.html

MEDENUS
Gas-Druckregeltechnik GmbH

Im Langen Feld 3
D-57462 Olpe
Phone: +49 (0)2761 82788-0
Fax: +49 (0)2761 82788-9
Mail: info@medenus.de
Internet: www.medenus.de



MEDENUS Gas-Druckregeltechnik GmbH

Phone +49 (0)2761 82788-0

Fax +49 (0)2761 82788-9

Im Langen Feld 3 / D-57462 Olpe

info@medenus.de

www.medenus.de

EN