

# MEDENUS



Gas Pressure Regulation



## Gas Pressure Regulator R 51

Product information



EN



## Table of content

<b>Application, Characteristics, Technical Data</b>	<b>4</b>
Application	4
Characteristics	4
Type of models / Options (see page 10)	4
Technical data	5
Structure and function	6
Installation example	6
Sectional view	7
$K_G^*$ value and diaphragm assemblies	8
Diaphragm assembly setpoint spring table	8
<b>Dimensions, Connection, and Weight</b>	<b>9</b>
Dimensions and weight	9
Dimensional drawing	9
Connection of the measuring lines and breather lines	9
<b>Types of Models / Options</b>	<b>10</b>
<b>Design</b>	<b>11</b>
Calculation of the required $K_G$ value	11
Device selection	11
Checking the gas velocities	11
<b>Properties of Gases</b>	<b>12</b>
<b>Order Data</b>	<b>12</b>
<b>Contact</b>	<b>13</b>
<b>Notes</b>	<b>15</b>



### ATTENTION

Observe the following publications in relation to installation, start-up and maintenance:  
DVGW - work sheets G 491 and G 600  
Operating and Maintenance Instructions R51

## List of abbreviations and formula symbols

AC	Accuracy class	PS	Maximum allowable pressure	SG	Closing pressure group
HDS	High-pressure spindle	$p_u$	Inlet pressure	$t_u$	Gas inlet temperature
$K_G$	Valve flow rate coefficient	$Q_n$	Standard volumetric flow rate	VS	Valve seat
$p_d$	Outlet pressure			$w_d$	Outlet gas velocity
$p_{ds}$	Setpoint of the response pressure	RE	Diaphragm assembly	$w_u$	Inlet gas velocity
		BV	Breather valve	$\rho_n$	Gas density

\*)  $K_G$  value for natural gas

# Application, Characteristics, Technical Data

## Application

Gas pressure regulator (GDR), direct-acting (operating without auxiliary power), for systems acc. to DVGW work sheet G 491 (A) and G 600 (A) (TRGI)

Particularly suitable for dynamic regulation sections (e.g. natural gas supply systems, low flow regulators, burner circuits, gas motor operation). Can be used as an equipment component on gas consumption facilities as defined in Regulation (EU) 2016/426.

Can be used for the gases defined in DVGW work sheet G 260 / G 262 and neutral non-aggressive gases. (other gases on request)

## Characteristics

- Integral pressure-tight model (IS)
- Optionally with internal or external measuring line

## Type of models / Options (see page 10)

- Oxygen model ( $p_u \leq 10$  bar)
- AV breather valve
- RSD2 throttle valve
- Coating with epoxy resin in RAL colors
- Hydrogen model

## Gas Pressure Regulator

Accuracy class AC and closing pressure group SG at the outlet pressure range

$P_d$ , minimum pressure differential 100 mbar  
Prerequisite -20°C to 60°C

	AC	SG
20 mbar to 50 mbar	up to 10	up to 30
50 mbar to 100 mbar	up to 10	up to 20
> 100 mbar to 500 mbar	up to 5	up to 10
> 500 mbar	2.5	5

## Technical data

<b>Type</b>	R 51
<b>Model</b>	Integral pressure-tight (IS)
<b>Max. allowable pressure PS</b>	16 bar
<b>Max. inlet pressure <math>p_{u,max}</math></b>	16 bar
<b>Nominal width</b>	DN 25
<b>Connection type</b>	DIN 1092 - PN 16 flanges (ASME flanges on request)
<b>Material</b>	
Housing / actuator housing	Al - cast alloy
<b>Corrosivity category</b>	DIN EN ISO 12944-2
C1 to C5-I	without additional coatings
C5-M	an epoxy resin coating is recommended (see page 7)
<b>Temperature range, Class 2</b> (operating/ambient temperature)	-20°C to +60°C
<b>Closing pressure zone group</b>	SZ 2.5
<b>Function, strength and tightness</b>	DIN EN 334
<b>CE mark acc. to PED/ PIN number</b>	CE-0085-CR0137
<b>Ex protection</b>	The mechanical parts of the device do not have any potential ignition sources of their own and therefore do not fall within the scope of ATEX 95 (94/9/EC). Electrical components fitted to the device comply with the ATEX requirements.

## Preferred installation position

The gas pressure regulators R51 shall be installed in the pipeline preferably in horizontal position. For all nominal widths, the direction of flow is indicated by an arrow on the housing.



Installation upside down only after consultation with Medenus GmbH

Note: Observe the following documents in relation to installation, start-up, and maintenance:

- DVGW - work sheets G 491 and G 600
- Operating and Maintenance Instructions R 51

## Structure and function

The spring-loaded gas pressure regulator R51 has the function of keeping the outlet pressure of a gaseous medium constant within allowable limit values, independently of the effect of interferences, such as changes in the inlet pressure and/or in the gas tap, in the connected regulation section on the outlet side. The gas pressure regulator is composed of the actuator housing and the "diaphragm assembly plus actuator" functional unit.

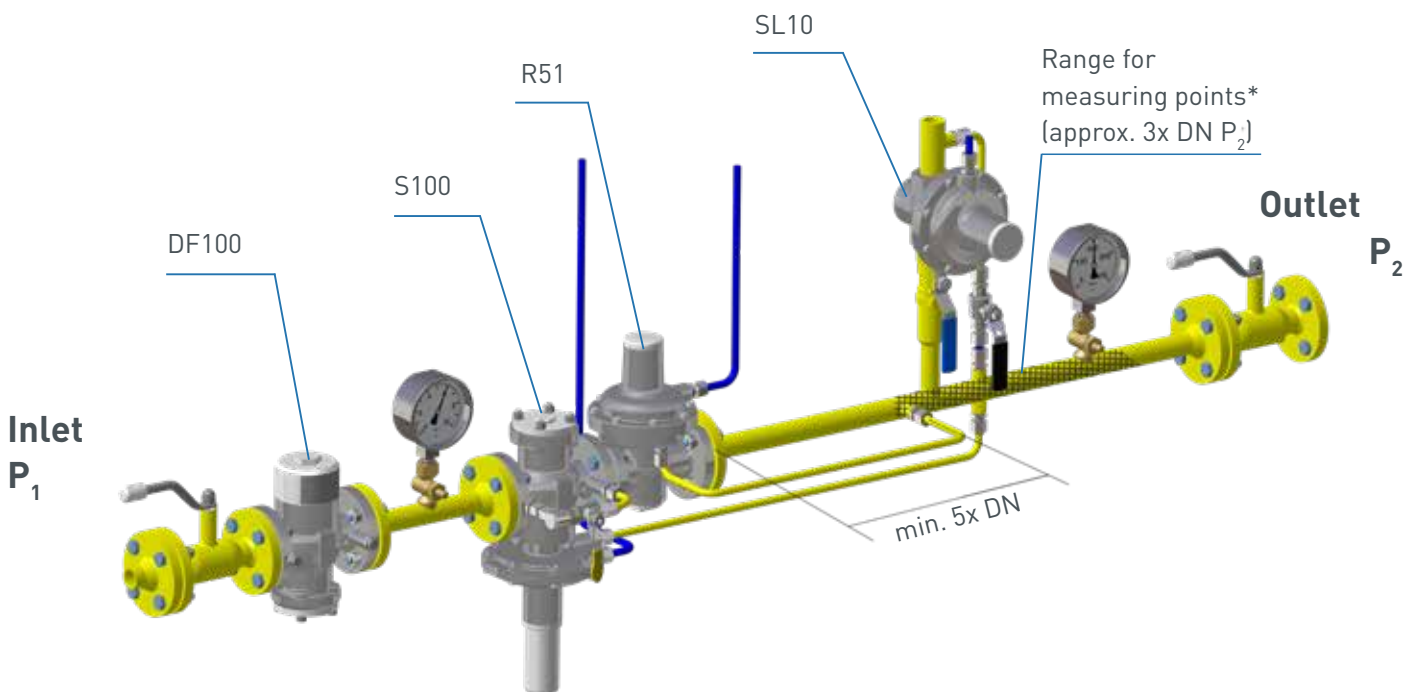
The valve seat model is pre-pressure-compensated.

The gas flows through the actuator housing in the direction of the arrow. The internal or external measurement line port is used to pass the outlet pressure to be regulated to the bottom of the main diaphragm of the diaphragm assembly.

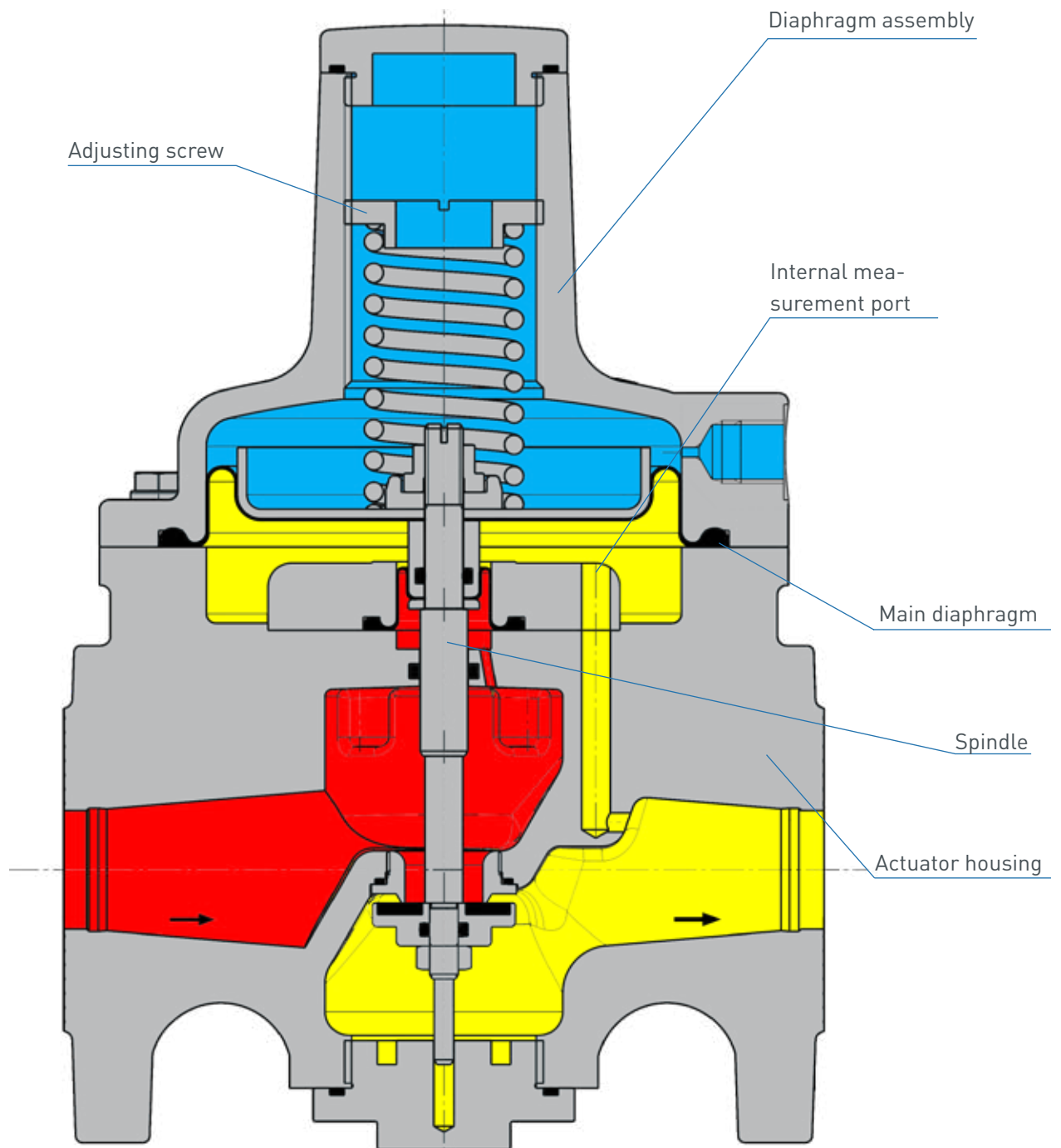
It compares the actual value with the command variable preset by the force of the setpoint spring. The setpoint required in each case is set via the setting screw. Any deviation from the setpoint is transmitted by the screw spindle to the actuator, which is adjusted such that the actual value is adjusted to the setpoint.

In case of zero tap, the actuator will close tight, causing the closing pressure to be established.

## Installation example



## Sectional view



## K<sub>G</sub>\* value and diaphragm assemblies

Nominal width	Valve seat Ø (mm)	Flow rate coefficient K <sub>G</sub> * [m <sup>3</sup> /(h*bar)]	Diaphragm assembly
DN 25	16.5	175	160

## Diaphragm assembly setpoint spring table

Spring data

with Diaphragm assembly Ø 160 mm in [mbar]	Spring no.	Wire Ø [mm]	Color [RAL]
20 - 50	FG100	2.0	9006
50 - 90	FG101	2.3	5015
75 - 165	FG102	2.6	6018
130 - 345	FG103	3.2	3020
220 - 670	FG104	4.0	5010
525 - 1185	FG105**	4.5	6010
850 - 2070	FG106***	5.3	7035
1580 - 3000	FG107***	6.0	1028

\*) KG value for natural gas:

d = 0.64 (ρ<sub>n</sub> = 0.83 kg/m<sup>3</sup>, t<sub>u</sub> = 15° C) and external measurement port. With an internal measuring line, the maximum AC flow rate is limited to 100 <sup>3</sup>/h.

\*\*)  
\*\*\*) with high-pressure spring plate (HD1)  
with high-pressure screw spindle (HD2)



## Dimensions, Connection, and Weight

### Dimensions and weight

Nominal width DN	∅ (mm)	A (mm)	B (mm)	L (mm)	HD2 (mm)	X (mm)	Weight (kg)	Weight HD2 (kg)
25	145	178	59	160	112	180	3.6	0.4

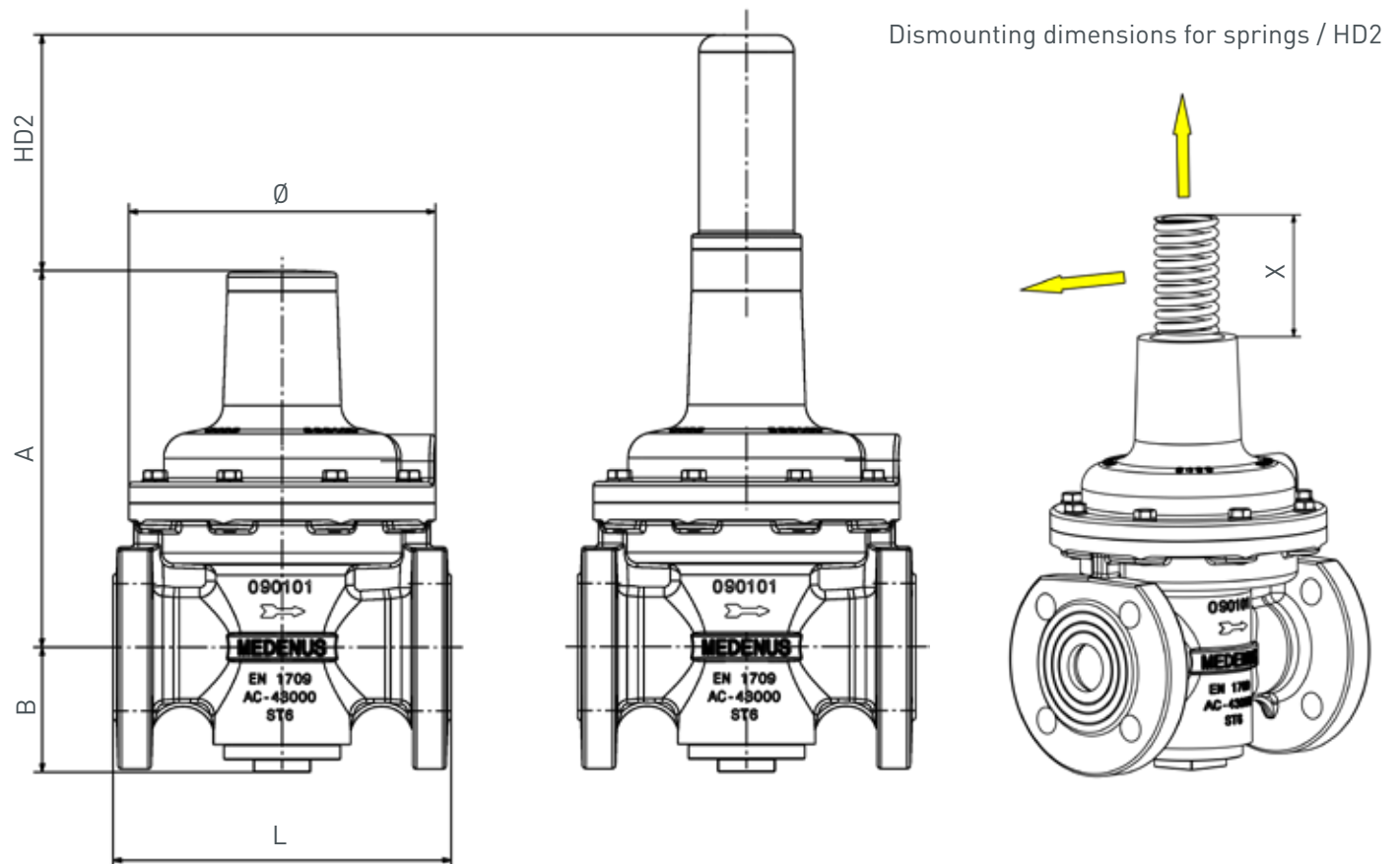
### Dimensional drawing

#### Example:

R51/025/160 with HD2

Weight (regulator + HD2): 3.6kg + 0.4kg = 4kg

Dimensions (A + HD2): 178mm + 112mm = 290mm



### Connection of the measuring lines and breather lines

Nominal width	Diaphragm assembly	
	External measurement line	Breather line
DN 25	Connection* for: tube 10 x 1.5 (thread G 1/4)	Connection* for: tube 10 x 1.5 (thread G 1/4)

\*) Threaded pipe connections to DIN EN ISO 8434-1 (DIN 2353)

## Types of Models / Options

### AV breather valve

The AV breather valve is used to secure the installation room against inadmissible escape of gas from diaphragm comparator compartments of safety shut-off valves. In case of a defect, the impermissible escape of gas into the surrounding atmosphere is limited to a maximum of 30l/h (air).

It also serves as a substitute for an expensive and complex installation of breather lines.



AV breather valve

**(Option not available for hydrogen version H<sub>2</sub>)**

### RSD2 throttle valve

The RSD2 is a throttle valve which regulates the volume flow in the sensing/impulse line by means of a continuously adjustable cross-sectional reduction. The setting is made tool-free by means of a rotary knob and can be adjusted using a screw to be fixed. The throttle valve cannot be completely shut off, therefore a guaranteed minimum flow is ensured.



Throttle valve RSD2

### External impulse tap

Available either with an internal or an external measurement line port.

The internal or external measurement line port is used to pass the outlet pressure to be regulated to the bottom of the main diaphragm of the diaphragm assembly.

It compares the actual value with the command variable preset by the force of the setpoint spring.



### Epoxy resin coating in RAL colors

To protect the gas pressure regulator from external influences, starting from a corrosivity category C5-M we recommend an epoxy resin coating.



### Types of models

Oxygen model O<sub>2</sub> (p<sub>v</sub> ≤ 10 bar)

Hydrogen model H<sub>2</sub> (with helium leak test)

The Medenus gas pressure regulators are suitable for use with hydrogen as a medium up to a proportion of 100%. Further information can be found in the special edition (10/2019) of gwf Gas+Energie and on our homepage at

([www.medenus.de](http://www.medenus.de))



# Design

**Note** All calculated pressures are absolute pressures for natural gas. ( $p+1$  bar)  
The required  $K_G$  value for a gas pressure regulator is determined with the smallest inlet pressure or lowest pressure drop.

$p_u$  Inlet pressure (bar)  
 $p_d$  Outlet pressure (bar)  
 $Q_n$  Standard volumetric flow rate (m<sup>3</sup>/h)

## Calculation of the required $K_G$ value

$p_d / p_u > 0.5$   
Value flow rate coefficient  $K_G$  at a subcritical pressure ratio  
 $K_G = Q_n / \sqrt{p_d \cdot (p_u - p_d)}$

$p_d / p_u \leq 0.5$   
Value flow rate coefficient  $K_G$  at a supercritical pressure ratio  
 $K_G = 2 \cdot Q_n / p_u$

## Device selection

**Note** For spring-loaded devices, a capacity reserve of 10-20% is recommended in order to comply with the accuracies given.  
The device is selected on the basis of its  $K_G$  value from the table of flow rate coefficients (page 8)

**Example:** Overpressure Absolute pressure

$p_{u \text{ min}}$  5.0 bar 6.0 bar  
 $p_{d \text{ min}}$  0.5 bar 1.5 bar  
 $Q_{n \text{ min}}$  200 m<sup>3</sup>/h

$1.5 \text{ bar} / 6 \text{ bar} = 0.25 < 0.5$   
→ Supercritical pressure ratio  
 $K_G = 2 \cdot 200 / 6 = 67 \text{ m}^3/(\text{h} \cdot \text{bar})$

### Selected device

Type R51  
DN - Nominal width 25  
D - Nozzle V 16.5  
 $K_G$  value 175 m<sup>3</sup>/(h\*bar)

## Checking the gas velocities

$$w = 380 \cdot Q_n / (DN^2 \cdot p_{\text{abs}})$$

**Note** The factor 380 refers to an operating gas temperature from approx. 15°C to 20°C. For other temperatures, the velocity must be corrected as follows:  
 $w_{\text{corr}} = w \cdot (t_{\text{gas}} + 273.15) / 290$

Recommended max. gas velocity at the inlet flange:  
50 - 70 m/s lower value for redirections upstream of the control valve, 20 m/s for upstream filters

Recommended max. gas velocity at the outlet flange:  
100 - 200 m/s lower value to reduce noise emissions

Recommended max. gas velocity on impulse tap: 15 - 25 m/s  
15 m/s max. value for outlet pressures below 100 mbar

Nominal width of input and output of pipeline according to the selected device: 25 mm  
Selected widening of outlet pipeline: 50 mm

$$w_u = 380 \cdot 200 / (25^2 \cdot 6) = 20 \text{ m/s}$$

$$w_d = 380 \cdot 200 / (25^2 \cdot 1.5) = 81 \text{ m/s}$$

$$w_{\text{impulse}} = 380 \cdot 200 / (50^2 \cdot 1.5) = 20 \text{ m/s}$$

The device selected in the example of nominal width DN 25 can be operated under these conditions.

**Note** To obtain a more accurate design configuration of our gas pressure regulators, you can use our configurator, on our homepage [medenus.de](http://medenus.de), under Service. ([medenus.de/de/service/konfigurator.html](http://medenus.de/de/service/konfigurator.html))

## Properties of Gases

- for natural gas ( $\rho_n = 0.83 \text{ kg/m}^3$ ;  $t = 15^\circ\text{C}$ )
- f - natural gas conversion factor- L

Gas	f	Hs,n [kWh/m <sup>3</sup> ]	Gas	f	Hs,n [kWh/m <sup>3</sup> ]
Acetylene	0.84	16.25	Sewage gas	0.84	
Ammonia	1.04	4.83	Carbon monoxide	0.81	3.51
Butane	0.55	37.23	Carbon dioxide	0.65	-
Chlorine	0.51	-	Air	0.80	-
Landfill gas	approx. 0.80		Methane	1.08	11.06
Natural gas L	1.00	9.77	Propane	0.64	28.03
Natural gas H	1.03	11.45	Oxygen	0.76	-
Ethane	0.78	19.55	Sulphur dioxide	0.53	-
Ethylene	0.97	16.516	Nitrogen	0.81	-
Mine gas (30% CH <sub>4</sub> )		0.86	Hydrogen	3.04	13.43
Helium	2.15	-			

## Order Data

### Example:

Gas pressure regulator: R51/025/160/16.5/left/BV/ext/WAZ/So

Order selection	Designation	Order code:								
		R51	025	160	16.5	left	BV	ext	WAZ	So
<b>Type</b>										
R51	R51	R51								
<b>DN - Nominal width</b>			025							
<b>RE - Diaphragm assembly</b>	160			160						
<b>D - Nozzle (valve seat diameter)</b>	16.5				16.5					
<b>Direction of flow</b>										
Right (from left to right)	-									
Left (from right to left)	left					left				
<b>Accessories</b>										
without accessories	-									
Breather valve	BV						BV			
<b>Measurement line</b>										
internal	int									
external	ext							ext		
<b>Acceptance test certificate to EN 10204/3.1</b>										
without acceptance test certificate	-									
with acceptance test certificate	WAZ								WAZ	
<b>Special model</b>										
- Coating with epoxy resin in RAL colors	So									So
- Oxygen model										

In every selection group, only one option can be selected in each case.

## Contact



Management  
ALEXANDER CHRISTIANI

Phone: +49 (0) 2761 / 82788-18  
Mail: a.christiani@medenus.de



Technical Inside Sales Department  
MINDAUGAS PECKAITIS

Phone: +49 (0) 2761 / 82788-23  
Mail: m.peckaitis@medenus.de



Head of Inside Sales Department  
MANUEL SCHEPP

Phone: +49 (0) 2761 / 82788-20  
Mobile phone: +49 (0) 170 / 6355309  
Mail: m.schepp@medenus.de



Inside Sales Department  
SEBASTIAN HUCKESTEIN

Phone: +49 (0) 2761 / 82788-11  
Mail: s.huckestein@medenus.de



Inside Sales Department  
STEFANIE MÜLLER

Phone: +49 (0) 2761 / 82788-13  
Mail: s.mueller@medenus.de



If you want to know more about solutions from MEDENUS for the gas industry, please contact your local contact person or go to our internet site at [www.medenus.de](http://www.medenus.de)

**Trade representation worldwide**  
[medenus.de/de/kontakt.html](http://medenus.de/de/kontakt.html)

**MEDENUS**  
Gas-Druckregeltechnik GmbH

Im Langen Feld 3  
D-57462 Olpe  
Phone: +49 (0)2761 82788-0  
Fax: +49 (0)2761 82788-9  
Mail: [info@medenus.de](mailto:info@medenus.de)  
**Internet: [www.medenus.de](http://www.medenus.de)**



## THE MEDENUS PLUS

### 10 reasons for good business relations

1. Consultancy expertise and quality standards developed over decades
2. Broad and proven standard range of feedback controllers
3. Modern, fast and efficient production for series products and for individual orders
4. Customer-specific design of pressure regulators and vacuum regulators and special designs
5. Guaranteed deadline compliance with a delivery deadline guarantee
6. Fast response time in all matters
7. Sufficiently large parts storage for production and spare parts
8. Customer-specific theory & practice training courses
9. Modular design right across the entire product range to facilitate optimized handling of spare parts
10. Made in Germany





**MEDENUS** Gas-Druckregeltechnik GmbH

Phone +49 (0)2761 82788-0

Fax +49 (0)2761 82788-9

Im Langen Feld 3 / D-57462 Olpe

[info@medenus.de](mailto:info@medenus.de)

[www.medenus.de](http://www.medenus.de)

**EN**