

# R 101 DN 40

**Pe = Pu max.** 8 bar  
**Pa = Pd** 22-1.200mbar  
**Q max.** 500 Nm<sup>3</sup>/h  
 (750) Nm<sup>3</sup>/h\*

## KG-Values

**V 17,5** 186 Nm<sup>3</sup>/h  
**V 27,5** 459 Nm<sup>3</sup>/h  
**V 32,5** 697 Nm<sup>3</sup>/h

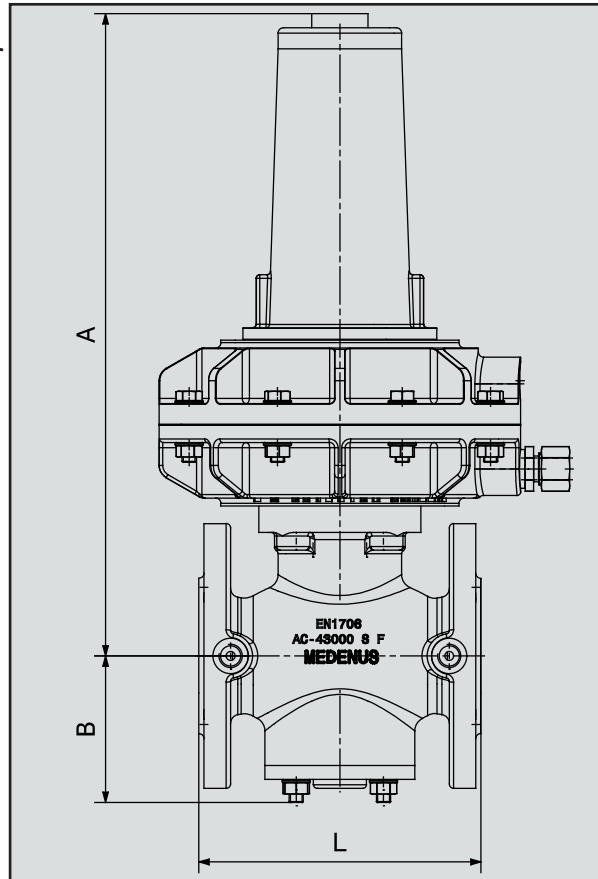
## Gas characteristics:

suitable for gas of the gas families 1, 2, 3 (DVGW-G260) and not aggressiv gas.

**Ambient-/ Working temp.** -20...+60°C

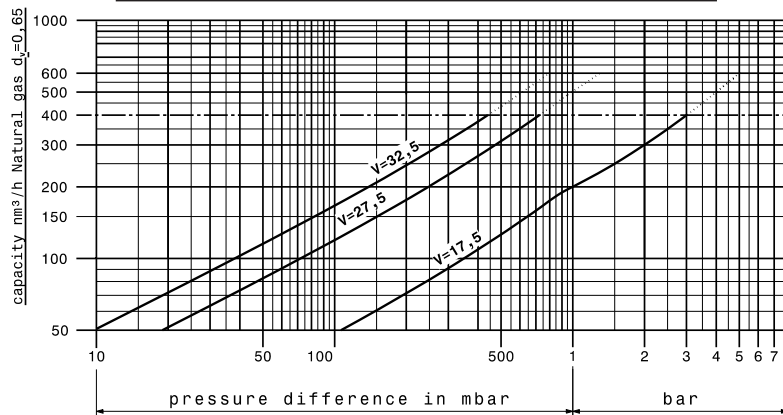
**Fitting position** any

**Flow speed** max. 30m/s  
 (limit 60m/s)\*



**Special design:**  
high pressure shaft

\* after consulting MEDENUS



Pd < 200 mbar 200 - 800 mbar**	Pd < 750 mbar 750 - 1.200 mbar**	Pd < 1.200 mbar
11kg PN16	9kg PN16	7,5kg PN16
A=346mm B= 84mm L=160mm	A=364mm B= 84mm L=160mm	A=356mm B= 84mm L=160mm
Ø318	Ø205	Ø162
** high pressure shaft		